

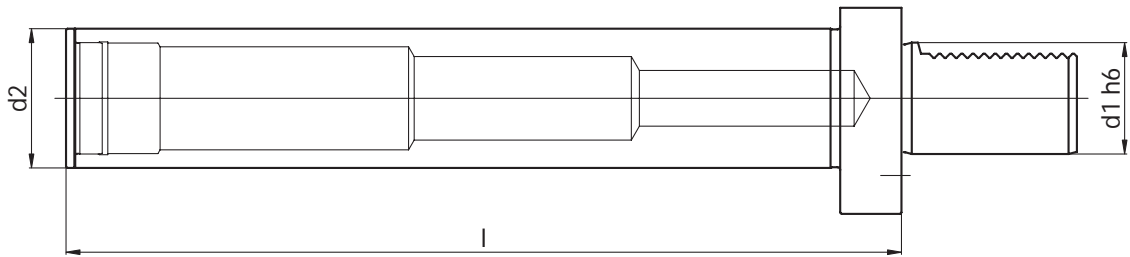
KAMATEK

ACCESSORI / ACCESSORIES



PRÜFDORN BARRE DE CONTROLE
TEST BAR BARRA DI CONTROLLO

BC



| Code N. | Description | d1 | d2 | l |
|-----------|-----------------|----|----|-----|
| 118-51601 | VDI 16 D25 L200 | 16 | 25 | 200 |
| 118-52002 | VDI 20 D30 L220 | 20 | 30 | 220 |
| 118-52501 | VDI 25 D30 L220 | 25 | 30 | 220 |
| 118-53002 | VDI 30 D40 L230 | 30 | 40 | 230 |
| 118-54003 | VDI 40 D50 L300 | 40 | 50 | 300 |
| 118-55002 | VDI 50 D50 L300 | 50 | 50 | 300 |
| 118-56002 | VDI 60 D60 L300 | 60 | 60 | 300 |
| 118-58001 | VDI 80 D80 L350 | 80 | 80 | 350 |

IM HOLZKASTEN UND MIT PRÜFUNGS PROTOKOLL
SUPPLIED IN WOODEN BOXES AND WITH TEST CERTIFICATE
FOURNIES EN BOÎTES DE BOIS ET AVEC CERTIFICAT DE CONTROLE
FORNITE IN CASSETTA DI LEGNO E CON CERTIFICATO DI COLLAUDO



VDI- PRÜFDORNE:

TECHNISCHE DATEN

TOLERANZEN VOM ZYLINDRISCHEN SCHAFT

IN KLASSE IT6 (H6) ANGEFERTIGT

PRÜFDORNTOLERANZEN

| | |
|----------------------|---------|
| Durchmesser: | + -0.05 |
| Rundlaufgenauigkeit: | 0.01 |
| Zylindrizität: | 0.003 |

- Aus Stahl mit Härte HRC 58 +-2 angefertigt, Festigkeit 800-1000 N/mm²
- Äußeres Schleifen und an der Verzahnung
- 100% durch zertifizierte Meßinstrumente geprüft



BARRES DE CONTROLE VDI:

DONNE TECHNIQUES

TOLERANCE DE LA QUEUE CILINDRIQUE

FABRIQUÉS EN CLASSE IT6 (H6)

TOLERANCE DE LA BARRA

| | |
|----------------|----------|
| Diamètre : | +/- 0.05 |
| Coaxialité : | 0.01 |
| Cylindricité : | 0.003 |

- Dureté HRC 58 +- 2 résistance 800-1000 N/ mm²
- Finition de rectification, extérieure, denture.
- Contrôlés à 100 % avec des instruments de mesure certifiés.



VDI CONTROL PINS:

TECHNICAL FEATURES

CYLINDRICAL SHANK'S TOLERANCE

ACCORDING TO THE CLASS IT6 (H6)

PIN'S TOLERANCE

| | |
|------------------|---------|
| Diameter: | + -0.05 |
| Runout accuracy: | 0.01 |
| Cilindricity: | 0.003 |

- Manufactured with casehardening steel with hardness HRC 58+-2, Strength 800-1000 N/mm²
- Shank and toothing are completely grinding finished
- Tested 100% with certified measuring instruments



BARRE DI CONTROLLO VDI:

DATI TECNICI

TOLLERANZA DEL GAMBO CILINDRICO

COSTRUITI IN CLASSE IT6 (H6)

TOLLERANZE DELLA BARRA

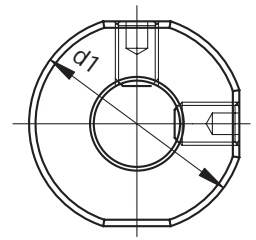
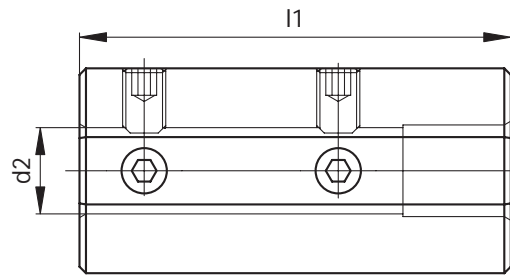
| | |
|----------------|----------|
| Diametro : | +/- 0.05 |
| Coassialità : | 0.01 |
| Cilindricità : | 0.003 |

- Costruite in acciaio con durezza HRC 58 +- 2 resistenza 800-1000 N/ mm²
- Finitura di rettifica esterna e dentatura
- Collaudati al 100% con strumenti di misura certificati



REDUZIERHÜLSE DOUILLE DE REDUCTION
ADAPTOR BUSSOLA DI RIDUZIONE

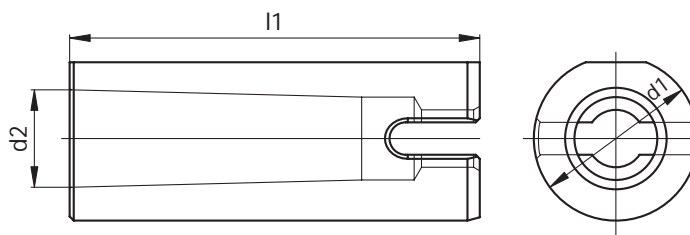
E2-1



| Code N. | d1 | d2 | l1 |
|------------|----|----|-----|
| E2-1-20x6 | 20 | 6 | 60 |
| E2-1-20x8 | 20 | 8 | 60 |
| E2-1-20x10 | 20 | 10 | 60 |
| E2-1-20x12 | 20 | 12 | 60 |
| E2-1-25x6 | 25 | 6 | 60 |
| E2-1-25x8 | 25 | 8 | 60 |
| E2-1-25x10 | 25 | 10 | 60 |
| E2-1-25x12 | 25 | 12 | 60 |
| E2-1-32x6 | 32 | 6 | 70 |
| E2-1-32x8 | 32 | 8 | 70 |
| E2-1-32x10 | 32 | 10 | 70 |
| E2-1-32x12 | 32 | 12 | 70 |
| E2-1-32x16 | 32 | 16 | 70 |
| E2-1-32x20 | 32 | 20 | 70 |
| E2-1-40x6 | 40 | 6 | 80 |
| E2-1-40x8 | 40 | 8 | 80 |
| E2-1-40x10 | 40 | 10 | 80 |
| E2-1-40x12 | 40 | 12 | 80 |
| E2-1-40x16 | 40 | 16 | 80 |
| E2-1-40x20 | 40 | 20 | 80 |
| E2-1-40x25 | 40 | 25 | 80 |
| E2-1-50x12 | 50 | 12 | 90 |
| E2-1-50x16 | 50 | 16 | 90 |
| E2-1-50x20 | 50 | 20 | 90 |
| E2-1-50x25 | 50 | 25 | 90 |
| E2-1-50x32 | 50 | 32 | 90 |
| E2-1-60x16 | 60 | 16 | 160 |
| E2-1-60x20 | 60 | 20 | 160 |
| E2-1-60x25 | 60 | 25 | 160 |
| E2-1-60x32 | 60 | 32 | 160 |
| E2-1-60x40 | 60 | 40 | 160 |

REDUZIERHÜLSE, MORSEKEGEL DOUILLE DE REDUCTION, CONE MORSE
 ADAPTOR, MORSE TAPER BUSSOLA DI RIDUZIONE, CONO MORSE

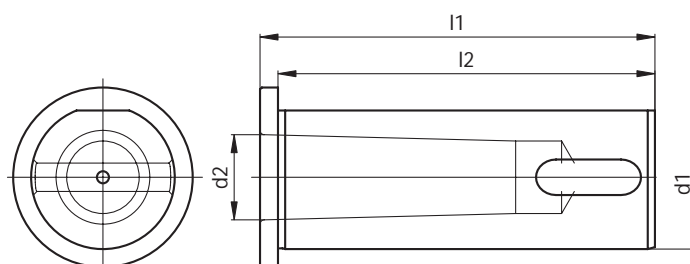
E2-3



| Code N. | d1 | MK | d2 | l1 |
|-----------|----|----|--------|-----|
| E2-3-20x1 | 20 | 1 | 12.065 | 60 |
| E2-3-20x2 | 20 | 2 | 17.780 | 90 |
| E2-3-32x1 | 32 | 1 | 12.065 | 60 |
| E2-3-32x2 | 32 | 2 | 17.780 | 90 |
| E2-3-32x3 | 32 | 3 | 23.825 | 100 |
| E2-3-40x2 | 40 | 2 | 17.780 | 90 |
| E2-3-40x3 | 40 | 3 | 23.825 | 100 |
| E2-3-40x4 | 40 | 4 | 31.267 | 120 |
| E2-3-50x2 | 50 | 2 | 17.780 | 90 |
| E2-3-50x3 | 50 | 3 | 23.825 | 100 |
| E2-3-50x4 | 50 | 4 | 31.267 | 120 |
| E2-3-60x3 | 60 | 3 | 23.825 | 160 |
| E2-3-60x4 | 60 | 4 | 31.267 | 160 |
| E2-3-60x5 | 60 | 5 | 44.399 | 160 |

M.K. REDUZIERHÜLSE, MIT ANSCHLAG DOUILLE DE REDUCTION, CONE MORSE
 MORSE TAPER ADAPTER BUSSOLA DI RIDUZIONE CONO MORSE CON BATTUTA

114

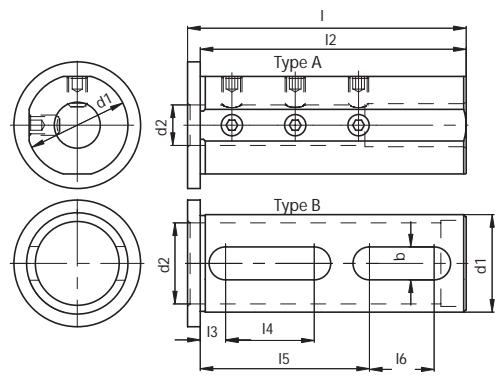


| Code N. | d1 | MK | d2 | l1 | l2 |
|-----------|----|----|--------|-----|-----|
| 114-33208 | 32 | 1 | 12.065 | 90 | 85 |
| 114-33209 | 32 | 2 | 17.780 | 90 | 85 |
| 114-33210 | 32 | 3 | 23.825 | 100 | 95 |
| 114-34008 | 40 | 2 | 17.780 | 110 | 105 |
| 114-34009 | 40 | 3 | 23.825 | 110 | 105 |
| 114-34010 | 40 | 4 | 31.267 | 125 | 120 |
| 114-35004 | 50 | 2 | 17.780 | 130 | 125 |
| 114-35005 | 50 | 3 | 23.825 | 130 | 125 |
| 114-35006 | 50 | 4 | 31.267 | 130 | 125 |
| 114-36007 | 60 | 3 | 23.825 | 140 | 130 |
| 114-36008 | 60 | 4 | 31.267 | 140 | 130 |
| 114-36009 | 60 | 5 | 44.399 | 155 | 145 |



ZYLINDRISCHE REDUZIERHÜLSE MIT ANSCHLAG
 TOOL HOLDER BUSHING
 DOUILLE DE REDUCTION CYLINDRIQUE
 BUSSOLA DI RIDUZIONE CILINDRICA CON BATTUTA

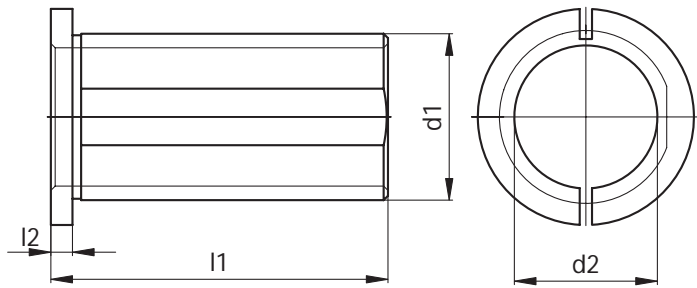
115 - 165



| Code N. | d1 | d2 | l1 | l2 | l3 | l4 | l5 | l6 | b | Type |
|-----------|----|----|-----|-----|----|----|----|----|----|------|
| 115-62573 | 25 | 6 | 65 | 60 | | | | | | A |
| 115-62538 | 25 | 8 | 65 | 60 | | | | | | A |
| 115-62539 | 25 | 10 | 65 | 60 | | | | | | A |
| 115-62540 | 25 | 12 | 65 | 60 | | | | | | A |
| 115-62541 | 25 | 16 | 65 | 60 | 9 | 13 | 37 | 12 | 11 | B |
| 165-63222 | 32 | 6 | 90 | 85 | | | | | | A |
| 115-63260 | 32 | 8 | 90 | 85 | | | | | | A |
| 115-63261 | 32 | 10 | 90 | 85 | | | | | | A |
| 115-63211 | 32 | 12 | 90 | 85 | | | | | | A |
| 115-63212 | 32 | 16 | 90 | 85 | | | | | | A |
| 115-63213 | 32 | 20 | 90 | 85 | | | | | | A |
| 115-63214 | 32 | 25 | 90 | 85 | 9 | 25 | 52 | 22 | 11 | B |
| 165-64074 | 40 | 6 | 110 | 105 | | | | | | A |
| 115-64043 | 40 | 8 | 110 | 105 | | | | | | A |
| 115-64044 | 40 | 10 | 110 | 105 | | | | | | A |
| 115-64045 | 40 | 12 | 110 | 105 | | | | | | A |
| 115-64046 | 40 | 16 | 110 | 105 | | | | | | A |
| 115-64047 | 40 | 20 | 110 | 105 | | | | | | A |
| 115-64048 | 40 | 25 | 110 | 105 | | | | | | A |
| 115-64049 | 40 | 32 | 110 | 105 | 10 | 35 | 65 | 28 | 13 | B |
| 115-65053 | 50 | 12 | 130 | 125 | | | | | | A |
| 115-65013 | 50 | 16 | 130 | 125 | | | | | | A |
| 115-65014 | 50 | 20 | 130 | 125 | | | | | | A |
| 115-65015 | 50 | 25 | 130 | 125 | | | | | | A |
| 115-65016 | 50 | 32 | 130 | 125 | | | | | | A |
| 115-65017 | 50 | 40 | 130 | 125 | 10 | 45 | 75 | 37 | 13 | B |
| 115-66017 | 60 | 20 | 140 | 135 | | | | | | A |
| 115-66018 | 60 | 25 | 140 | 135 | | | | | | A |
| 115-66019 | 60 | 32 | 140 | 135 | | | | | | A |
| 115-66020 | 60 | 40 | 140 | 135 | | | | | | A |
| 115-66021 | 60 | 50 | 140 | 135 | 15 | 40 | 83 | 58 | 13 | B |
| 115-68006 | 80 | 25 | 150 | 145 | | | | | | A |
| 115-68007 | 80 | 32 | 150 | 145 | | | | | | A |
| 115-68008 | 80 | 40 | 150 | 145 | | | | | | A |
| 115-68009 | 80 | 50 | 150 | 145 | | | | | | A |
| 115-68010 | 80 | 60 | 150 | 145 | 25 | 30 | 80 | 15 | 14 | B |

ZYLINDRISCHE REDUZIERHÜLSE MIT ANSCHLAG
 TOOL HOLDER BUSHING
 DOUILLE DE REDUCTION CYLINDRIQUE
 BUSSOLA DI RIDUZIONE CILINDRICA CON BATTUTA, TAGLIATA

RZ



| Code N. | d1 | d2 | l1 | l2 |
|----------|----|----|----|----|
| RZ-20x08 | 20 | 8 | 30 | 4 |
| RZ-20x10 | 20 | 10 | 30 | 4 |
| RZ-20x12 | 20 | 12 | 30 | 4 |
| RZ-20x16 | 20 | 16 | 30 | 4 |
| RZ-25x08 | 25 | 8 | 40 | 4 |
| RZ-25x10 | 25 | 10 | 40 | 4 |
| RZ-25x12 | 25 | 12 | 40 | 4 |
| RZ-25x16 | 25 | 16 | 40 | 4 |
| RZ-25x20 | 25 | 20 | 40 | 4 |
| RZ-32x08 | 32 | 8 | 50 | 4 |
| RZ-32x10 | 32 | 10 | 50 | 4 |
| RZ-32x12 | 32 | 12 | 50 | 4 |
| RZ-32x16 | 32 | 16 | 50 | 4 |
| RZ-32x20 | 32 | 20 | 50 | 4 |
| RZ-32x25 | 32 | 25 | 50 | 4 |
| RZ-40x10 | 40 | 10 | 78 | 4 |
| RZ-40x12 | 40 | 12 | 78 | 4 |
| RZ-40x16 | 40 | 16 | 78 | 4 |
| RZ-40x20 | 40 | 20 | 78 | 4 |
| RZ-40x25 | 40 | 25 | 78 | 4 |
| RZ-40x32 | 40 | 32 | 78 | 4 |
| RZ-50x20 | 50 | 20 | 88 | 4 |
| RZ-50x25 | 50 | 25 | 88 | 4 |
| RZ-50x32 | 50 | 32 | 88 | 4 |
| RZ-50x40 | 50 | 40 | 88 | 4 |
| RZ-60x25 | 60 | 25 | 92 | 4 |
| RZ-60x32 | 60 | 32 | 92 | 4 |
| RZ-60x40 | 60 | 40 | 92 | 4 |
| RZ-60x50 | 60 | 50 | 92 | 4 |

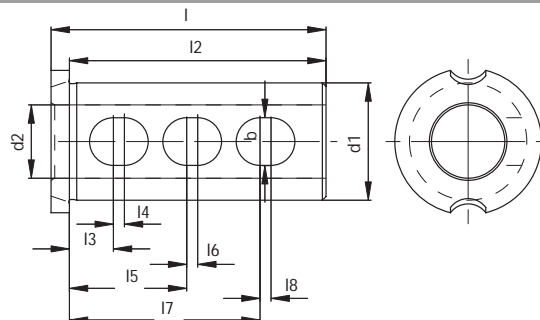
- Durch die elastische Spannung werden die Vibrationen des Werkzeuges gedämpft.
- *The elastic clamping it reduces the tool vibrations.*
- Les vibrations de l'outil sont reduites par le serrage elastique.
- *Questo tipo di chiusura elastica riduce le vibrazioni dell'utensile.*



ZYLINDRISCHE REDUZIERHÜLSE MIT ANSCHLAG
 FÜR ALLE BOHRSTANGENHALTER TYP E2
 CYLINDRICAL BUSHING FOR BORING
 BAR HOLDERS TYPE E2

DOUILLES DE REDUCTION CYLINDRIQUES POUR
 PORTE-BARRES D'ALEPAGE E2
 BUSSOLA DI RIDUZIONE CILINDRICA CON
 BATTUTA, PER PORTABARENI E2

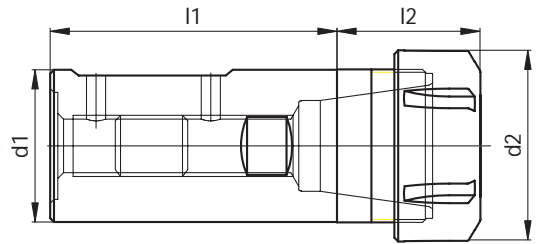
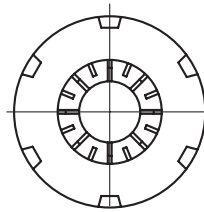
115-165



| Code N. | d1 | d2 | l1 | l2 | l3 | l4 | l5 | l6 | l7 | l8 | b | E2 type | | | | | | | | | | |
|-----------|----|----|----|----|----|----|----|----|------|----|----|----------------------|----|----|----|---|----|-----|------|-----|----|----------------------------|
| 115-62574 | 25 | 8 | 52 | 47 | 8 | 2 | 24 | 5 | 39,5 | - | 9 | 20 E2-25x25 30 | | | | | | | | | | |
| 115-62575 | | 10 | | | | | | | | | | | | | | | | | | | | |
| 115-62576 | | 12 | | | | | | | | | | | | | | | | | | | | |
| 115-62577 | | 16 | | | | | | | | | | | | | | | | | | | | |
| 115-62578 | | 20 | | | | | | | | | | | | | | | | | | | | |
| 115-62579 | | 8 | | | | | | | | | | | 62 | 57 | 12 | - | 29 | - | 46 | - | 11 | E2-40x25 |
| 115-62580 | | 10 | | | | | | | | | | | | | | | | | | | | |
| 115-62581 | | 12 | | | | | | | | | | | | | | | | | | | | |
| 115-62582 | | 16 | | | | | | | | | | | | | | | | | | | | |
| 115-62583 | | 20 | | | | | | | | | | | 75 | 70 | 12 | 3 | 32 | 3 | 52 | 3 | 13 | 50 E2-60x25 80 |
| 115-62584 | 8 | | | | | | | | | | | | | | | | | | | | | |
| 115-62585 | 10 | | | | | | | | | | | | | | | | | | | | | |
| 115-62586 | 12 | | | | | | | | | | | | | | | | | | | | | |
| 115-62587 | 16 | | | | | | | | | | | | | | | | | | | | | |
| 115-62588 | 20 | | | | | | | | | | | | | | | | | | | | | |
| 165-63223 | 32 | 8 | 62 | 57 | 10 | 2 | 29 | - | 46 | 1 | 11 | 25 E2-30x32 40 | | | | | | | | | | |
| 165-63224 | | 10 | | | | | | | | | | | | | | | | | | | | |
| 165-63225 | | 12 | | | | | | | | | | | | | | | | | | | | |
| 165-63226 | | 16 | | | | | | | | | | | | | | | | | | | | |
| 165-63227 | | 20 | | | | | | | | | | | | | | | | | | | | |
| 165-63228 | | 25 | | | | | | | | | | | 75 | 70 | 12 | 3 | 32 | 3 | 52 | 3 | 13 | 50 E2-60x25 80 |
| 165-63229 | | 8 | | | | | | | | | | | | | | | | | | | | |
| 165-63230 | | 10 | | | | | | | | | | | | | | | | | | | | |
| 165-63231 | | 12 | | | | | | | | | | | | | | | | | | | | |
| 165-63232 | | 16 | | | | | | | | | | | | | | | | | | | | |
| 165-63233 | 20 | | | | | | | | | | | | | | | | | | | | | |
| 165-63234 | 25 | 40 | 62 | 57 | 9 | - | 26 | - | 43 | - | 9 | E2-30x40 | | | | | | | | | | |
| 165-64075 | 8 | | | | | | | | | | | | | | | | | | | | | |
| 165-64076 | 10 | | | | | | | | | | | | | | | | | | | | | |
| 165-64077 | 12 | | | | | | | | | | | | | | | | | | | | | |
| 165-64078 | 16 | | | | | | | | | | | | | | | | | | | | | |
| 165-64079 | 20 | | | | | | | | | | | | | | | | | | | | | |
| 165-64080 | 25 | | | | | | | | | | | | | | | | | | | | | |
| 165-64081 | 32 | | | | | | | | | | | | 75 | 70 | 12 | 4 | 32 | 6,5 | 52,5 | 7,5 | 13 | 40 E2-50x40 60 80 |
| 165-64082 | 8 | | | | | | | | | | | | | | | | | | | | | |
| 165-64082 | 10 | | | | | | | | | | | | | | | | | | | | | |
| 165-64084 | 12 | | | | | | | | | | | | | | | | | | | | | |
| 165-64085 | 16 | | | | | | | | | | | | | | | | | | | | | |
| 165-64086 | 20 | | | | | | | | | | | | | | | | | | | | | |
| 165-64087 | 25 | | | | | | | | | | | | | | | | | | | | | |
| 165-64088 | 32 | | | | | | | | | | | | | | | | | | | | | |

SPANNZANGENAUFNAHMEN FÜR INNENKÜHLUNG PORTE-PINCES AVEC ARROSAGE CENTRAL
COLLET CHUCKS WITH COOLANT HOLES PORTAPINZE CON FORI DI LUBRIFICAZIONE

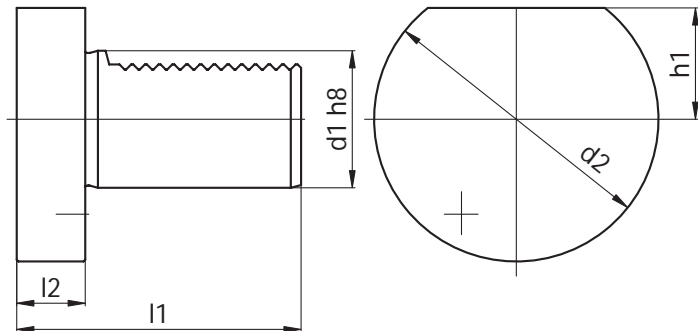
NC



| Code N. | Description | Range | d1 | d2 | l1 | l2 |
|-----------|-------------|-------|----|----|----|----|
| 214-35170 | NC32L60ER25 | 1-16 | 32 | 42 | 60 | 32 |
| 214-35171 | NC32L60ER32 | 2-20 | 32 | 50 | 60 | 38 |
| 214-35172 | NC40L75ER32 | 2-20 | 40 | 50 | 75 | 38 |
| 214-35173 | NC40L75ER40 | 3-26 | 40 | 63 | 75 | 55 |

VERSCHLUSSTOPFEN BOUCHON DE PROTECTION
BLANKING PLUG TAMPONE DI PROTEZIONE

Z2



| Code N. | d1 | d2 | h1 | l1 | l2 |
|-----------|----|-----|------|-----|----|
| Z2-16 S/P | 16 | 40 | 18 | 45 | 13 |
| Z2-20 S/P | 20 | 50 | 23 | 56 | 16 |
| Z2-25 S * | 25 | 58 | 25 | 64 | 16 |
| Z2-30 S/P | 30 | 68 | 28 | 71 | 16 |
| Z2-40 S/P | 40 | 83 | 32.5 | 83 | 20 |
| Z2-50 S/P | 50 | 98 | 35 | 98 | 20 |
| Z2-60 S/P | 60 | 123 | 42.5 | 114 | 20 |
| Z2-80 S/P | 80 | 158 | 55 | 144 | 20 |

• Lieferbar sowohl aus Stahl als auch aus Plastik
* Z2-25S nur aus Stahl

• Available either in plastic or in steel
* Z2-25S is only available in steel

• Disponible soit en acier soit en plastique
* Z2-25S seulement en acier

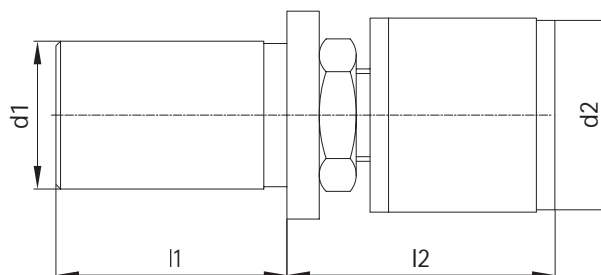
• Fornibili sia in acciaio sia in plastica
* Z2-25S fornibili solo in acciaio

S: Stahl - Steel - Acier - Acciaio

P: Plastik - Plastic - Plastique - Plastica

WERKSTOFFANSCHLAG MIT ZYLINDERSCHAFT LÄNGENEINSTELLBAR PORTE-BUTEES CYLINDRIQUES
CYLINDRICAL BAR STOP FERMOBARRA CILINDRICO REGOLABILE

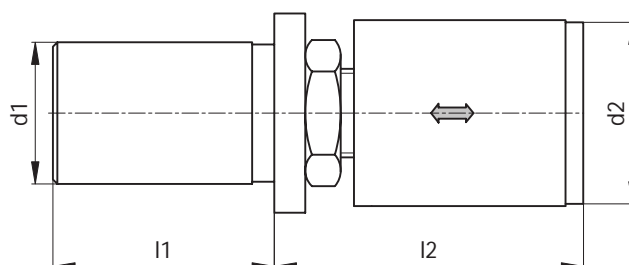
CW



| Code N. | d1 | d2 | l1 | l2 |
|---------|----|----|----|--------|
| CW-1620 | 16 | 20 | 32 | 36-62 |
| CW-2034 | 20 | 34 | 50 | 65-100 |
| CW-2534 | 25 | 34 | 50 | 65-100 |
| CW-3042 | 30 | 42 | 50 | 55-90 |
| CW-3242 | 32 | 42 | 50 | 55-90 |
| CW-4042 | 40 | 42 | 50 | 55-90 |

WERKSTOFFANSCHLAG MIT ZYLINDERSCHAFT
GEDÄMPFT LÄNGENEINSTELLBAR PORTE-BUTEES, CYLINDRIQUES,
CYLINDRICAL REVOLVING BAR STOP AMORTIS
WITH SHOCK ABSORBER FERMOBARRA CILINDRICI REGOLABILI
AMMORTIZZATI

CW-AM



| Code N. | d1 | d2 | l1 | l2 |
|------------|----|----|----|-------|
| CW-2542-AM | 25 | 42 | 50 | 62-97 |
| CW-3042-AM | 30 | 42 | 50 | 62-97 |
| CW-3242-AM | 32 | 42 | 50 | 62-97 |
| CW-4042-AM | 40 | 42 | 50 | 62-97 |

| VDI | Code N. |
|-----|-----------|
| 16 | 237-32190 |
| 20 | 237-32290 |
| 25 | 237-32390 |
| 30 | 237-32490 |
| 40 | 237-32590 |
| 50 | 237-32690 |
| 60 | 237-32790 |
| 80 | 237-32890 |

Alle horizontale Flansche
sind auswechselbar

*Removable horizontal
flange*

Bride horizontal
démontable

*Flangia orizzontale
smontabile*



| Code | Description |
|-----------|------------------|
| 237-32191 | DIN 69880 VDI 16 |
| 237-32291 | DIN 69880 VDI 20 |
| 237-32391 | DIN 69880 VDI 25 |
| 237-32491 | DIN 69880 VDI 30 |
| 237-32591 | DIN 69880 VDI 40 |
| 237-32691 | DIN 69880 VDI 50 |
| 237-32791 | DIN 69880 VDI 60 |
| 237-32891 | DIN 69880 VDI 80 |

Dieses unkomplizierte System erlaubt die schnelle Montage und Demontage von VDI Werkzeughaltern (gemäß DIN 69880) in horizontaler und vertikaler Lage. Dieses System ist sehr einfach zu bedienen, und erlaubt sicheres Bestücken der Werkzeuge.

This system allows the assembly and disassembly operations of the VDI toolholders in horizontal and vertical position. This is a very simple system for tool handling.

Il permet d'effectuer toutes les opérations de montage et de démontage des porte outils VDI (DIN 69880) soit en horizontal qui en vertical. Ce système est très simple à utiliser pour la manipulation des outils.

Questo sistema molto semplice consente il montaggio e lo smontaggio dei portautensili VDI (secondo la normativa DIN 69880) sia in orizzontale che in verticale. È un sistema che offre la massima semplicità d'uso per la manipolazione degli utensili.